

A size 20 or 30 Jet Diver is rigged ahead of a K16 Kwikfish (see "Free-Sliding" setup illustration). Main line testing from 25 to 30 pounds is attached to the Luxon® Duo-Lock snap on the diver, and a 48- to 60-inch, 60-pound leader is then run from the diver back to the Kwikfish. In this application, as well as when used with a bobber and bait setup, anglers often choose the clear Jet Diver as giant chinook frequently chew on colored ones.

BAIT / DIVER RIG

1/2-oz. HOT LIPS EXPRESS®



WINGED DRIFT BOBBER

Another of the easiest, yet most important, things you can do to improve your fishing success, is to maintain super-sharp hooks on your lures at all times. A fine-toothed file such as Luhr Jensen's *Sharp Hook File™* is the absolute best hook sharpening tool available. Hold it parallel to the hook point and with gentle, one-way strokes, remove a small amount of metal on at least two sides of the point to obtain a sticky-sharp point with a knife-like cutting edge. Keep the file clean and dry and occasionally spray it with a noncorrosive lubricant such as WD-40™. Files are available in 5 1/2' x 3/4" or 4 1/4" x 5/8".



SHARP HOOK FILE™

For smaller rivers, we would suggest trying the smaller Size 10 Jet Diver or one of the following plugs. (Keep in mind that not all plugs will work as divers.) Hot Shot sizes that will work include a #25 or the 1/2-oz. *S.E.* (Special Edition). Other plugs that work well as a diver are the 1/2- and 3/4-oz. *Hot Lips Express®*. When using smaller plugs as divers, baits should be cut

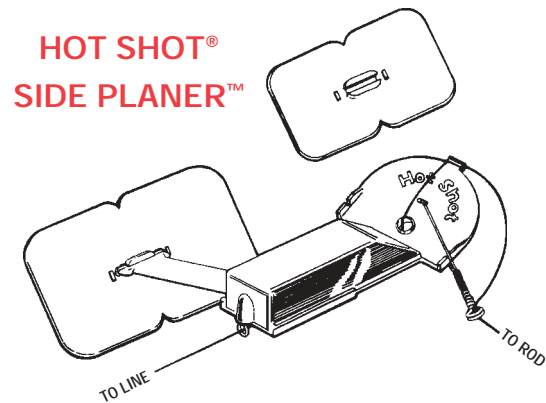
smaller or long and lean so they won't overpower the plug's diving capability.

The *Hot Shot® Side Planer™* also allows the bank-bound angler to backroll the Hot Shot/Bait Diver combination. (This works best with the smaller Size 10 Jet Diver or with the smaller size plug divers as a standard size "20" Jet Diver or larger plug divers can overpower the Side Planer, especially in fast water). This Luhr-Jensen device allows you to reach as far as



HOT SHOT® SIDE PLANER™ IN USE

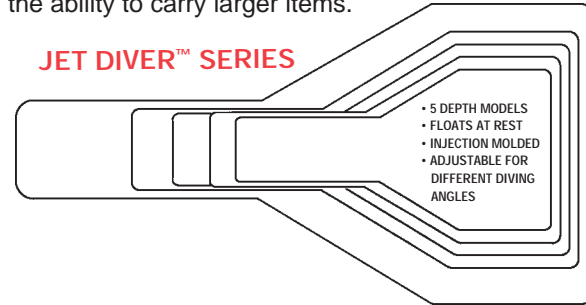
100 feet out into the river from your position on the bank. When placed in the water, the Side Planer's fin catches the current and skates it off across the river, pulling your bait and diver combination behind it. When the desired position has been reached, you can then backroll the planer, diver and bait down through a fishy stretch of water by taking two steps down river and stopping, two steps and stopping etc., effectively covering every inch of a drift.



HOT SHOT® SIDE PLANER™

The complete, five-size Jet Diver system allows you to reach specific depths from 10 to 50 feet, depending on the size Jet you choose. The Jet "10" will reach 10 feet and can pull small lures and spoons such as *Super Dupers®*, *Needlefish®*, Kwikfish or small spinner and bait combos. Each succeeding larger size Jet will position your line 10 feet deeper, with the Jet "20" reaching 20 feet, etc. As the size increases, so does the ability to carry larger items.

JET DIVER™ SERIES



- 5 DEPTH MODELS
- FLOATS AT REST
- INJECTION MOLDED
- ADJUSTABLE FOR DIFFERENT DIVING ANGLES

LEADER TOTE™

Another accessory that you will find particularly useful for backrolling bait with divers, is the *Leader Tote™*, a six-compartment vinyl wallet that fits into your pocket or vest.

Use it to store complete pre-tied rigs to go with your Jet Diver including Luxon Duo-Lock snap/winged drift bobber/bead/hooks.

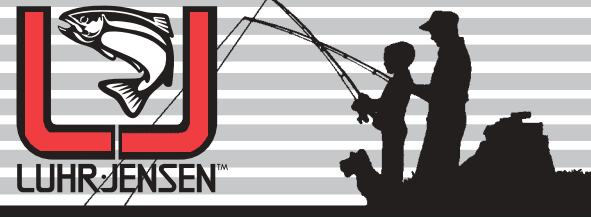
You'll save valuable fishing time by having your tackle ready to go when you hit the water.

LEADER TOTE™ VINYL PLASTIC WALLET



This is one of a series of more than 25 detailed technique reports produced by Luhr Jensen & Sons. For a complete set, a patch for your jacket or cap, a price list and a full-color catalog showing all of Luhr Jensen's quality fishing tackle and accessories, send \$5 (\$3 credited to your first order of \$20 or more) and your name and address to: Luhr Jensen, P.O. Box 297, Hood River, OR 97031, Attn: Customer Service.

Visit us on the web at www.luhrjensen.com #8822-004 Revised 101703 Litho in U.S.A.



TECH REPORT #4

A Complete Guide on How To Effectively Use

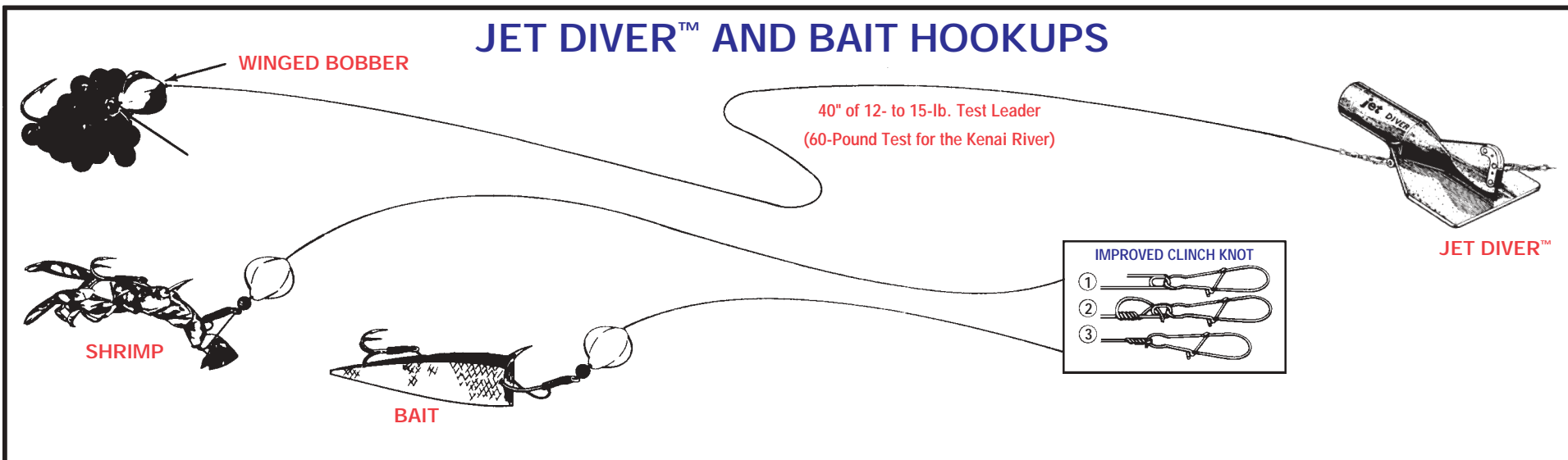
DIVER/BAIT BACKROLLING TECHNIQUES IN RIVERS

(Revised)



One popular fishing technique for catching salmon and steelhead in rivers, is to drift fish natural bait and drift bobber combinations along the bottom. Another method, even more deadly, is backrolling or "*Hot Shotting®*" with diving plugs. Imagine the results if you could combine these two techniques and backroll bait!

JET DIVER™ AND BAIT HOOKUPS



The thought of applying a standard salmon fishing diver (*Pink Lady*®, *Deep Six*®, *Dipsy Diver*®) to river angling situations has occurred to more than one angler. The diver would be used to get the bait or lure down to the fish-holding level, without the use of lead. But, there is one big drawback in applying this technique. Divers used for salmon fishing aren't naturally buoyant and will sink, eventually catching bottom, perhaps resulting in the loss of both the diver and the trailing lure.

One diver, however, is **BUOYANT** at rest and will only dive when pulled through the water . . . the Luhr Jensen *Jet Diver*™. Experimentation on many Northwest rivers has resulted in using the floating/diving capability of the Jet Diver as that long-sought-after river backtrolling diver. It now is possible to successfully backtroll a natural bait, such as shrimp, cluster eggs or baitfish strips in deep water or in big rivers where salmon or steelhead commonly are found. For smaller rivers, a smaller (010) size Jet Diver is available. Additionally, some plugs can also be used as divers — these will be described later in this report.

The Jet Diver allows for a very slow, deliberate presentation of these natural baits which often will produce strikes from deep, big river salmon or steelhead otherwise considered difficult to reach. The diver will go as deep as 20 feet with excellent results and its buoyancy provides the big advantage of being able to

follow natural river currents and float around or off of snags. If hung on the bottom, a downstream pull will usually set the Jet Diver free. It won't dive again until it's pulled through the water and has pressure against it.

Rigging the Jet Diver for backtrolling is easy. Starting with a medium-action rod, and a reel filled with 15- to 20-lb. test premium-quality monofilament line (such as Trilene XT), tie the diver to the end of your line. Use the flat end of the diver and the *Luxon*® *Duo-Lock* snap provided for attaching your main line. Slide a small bead and a No. 3 winged drift bobber onto a 40- to 60-inch, pre-snelled 12- to 20-lb. test leader. Tie the free end of the leader to the snap swivel just below the diver's air chamber. Add cluster eggs, a shrimp or baitfish strip to the hook and you're ready to start fishing.

NOTE: The winged drift bobber keeps otherwise non-buoyant baits, such as those shown in the illustration above, at neutral buoyancy so hooks won't drag bottom and become snagged. It also adds the vibrating action of a free-spinning, winged bobber to the bait, resulting in a combination having all four proven fish-enticing qualities — scent, color, action and, because of the action . . . sound.

The ease of rigging and use of the diver and backtrolling technique lends itself well to both those inexperienced in bait fishing as well as to the more

experienced angler. The diver will take your bait deep and allow for a slow, deliberate presentation to big river salmon which otherwise might not be interested because of their non-aggressiveness. It also acts as a fish attractor with the most popular colors being *Pink Crystal*, *Clear* and *Green*. *Metallic Silver*, *Metallic Blue*, *Metallic Pink*, *Metallic Green* and *Metallic Red* are also available.

The Jet Diver is best used for the backtrolling (Hot Shotting) technique. With your boat headed upstream and positioned above the area you wish to fish, row or run your motor just fast enough to hold even with the current. Strip out or freespool line until the diver is 50 feet downstream of your boat. When you stop paying out line, the river current will force the *Hot Shot*® lure to dive. To keep it down, you need to maintain constant water pressure against it. This is done by motoring or rowing against the current just fast enough so your boat can slowly slip downstream. **BUT REMEMBER** there always should be more speed to the natural river current than your boat is traveling in order to keep the diver working. Backtrolling downstream into a fish-holding section of water produces optimum results because the fish face upstream and can see and anticipate the bait and diver coming.

For backtrolling shrimp or baitfish strips, we recommend a No. 6 or No. 4 *Eagle Claw*® treble hook tied to the end of your leader just below, and in addition to the

standard single hook. Place the single hook in the tail of the shrimp or at the head end of the baitfish strip and the treble hook in the shrimp's body or into the tail end of the strip. This hookup will provide maximum bait-holding power and also will help in hooking short strikers. When rigging to use cluster eggs, only a single hook is needed. See the diagram for recommended bait hookups.

WAIT BEFORE STRIKING

When backtrolling bait, it is important that you **NOT** set the hook immediately, but rather wait until the fish has your rod tip down and throbbing before making your move. The absolute best way to avoid any temptation is to use a rod holder, going after the rod **ONLY** when you can see the tip down for good.

When you first notice a bite, you should immediately stop backtrolling and hold your boat steady in the same place until the fish gobbles the bait. By holding steady, you will keep your bait easily available to the fish and it will keep after it. Remember that salmon, in particular, can be non-aggressive in fresh water and will prefer this easy kind of meal.

RIVER CHINOOK

Luhr Jensen's Jet Diver, when fished in combination with a K16 Kwikfish®, has proved its effectiveness for giant chinook salmon on the major Northwest chinook rivers as well as Alaska's Kenai River and Canada's Skeena River. It also works well in conjunction with a large winged bobber, trailed by a 6/0 Eagle Claw single hook baited with cluster eggs.

The July run of chinooks on the Kenai and Skeena produces salmon averaging 50 pounds, with 60- to 70-pound fish fairly common. The Kenai is a large, fast-flowing river averaging six to 10 feet in depth. The backtrolled Jet Diver is used to pull a bait or lure down to the fish-holding level and keep it there.

